

Cooler hekang

www.hekangfan.com

Hunan Hekang Electronics Co., Ltd

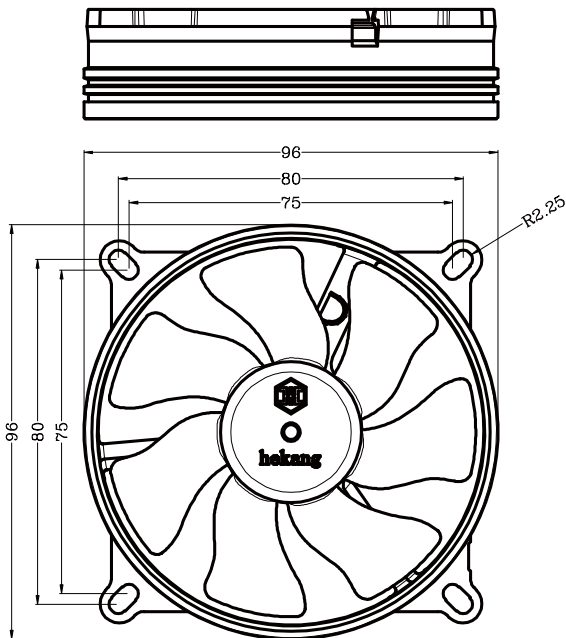
HK50

Intel LGA1156 / LGA1155/LGA1150/LGA1151



2023 Hekang Electronics Inc All Rights Reserved
All trademarks are registered to their respective owners.

Product Specification



| | |
|--------------------|-----------------------|
| CPU Socket | Intel LGA 1700 Socket |
| Dimensions(LxWxH) | 92x92x25mm |
| Heat Sink Material | Aluminum |
| Speed | 2300RPM±10% |
| Air Flow(Max) | 43CFM |
| Noise Level(Max) | 32dBA |
| Rated Voltage | 12VDC |
| Rated Current | 0.12A |
| Air Pressure(Max) | 1.93mmH2O |
| MTTF | > 40,000hours |

Hekang Electric HK50 is a slim profile CPU cooler designed for space limited applications that utilizes LGA 1156/1155/1150/1151 platforms. It has an extruded aluminum fins for excellent thermal conductive. In addition, HK50 is equipped with a custom PWM 92mm silent fan that is staggered against the aluminum fins for better airflow focus and enhanced heat dissipation. Measuring only 45mm tall, the HK50 is a premier choice for slim cases utilizing LGA 1156/1155/1150/1151 processors.

Installation

